


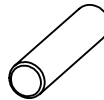
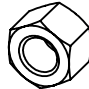

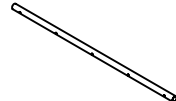

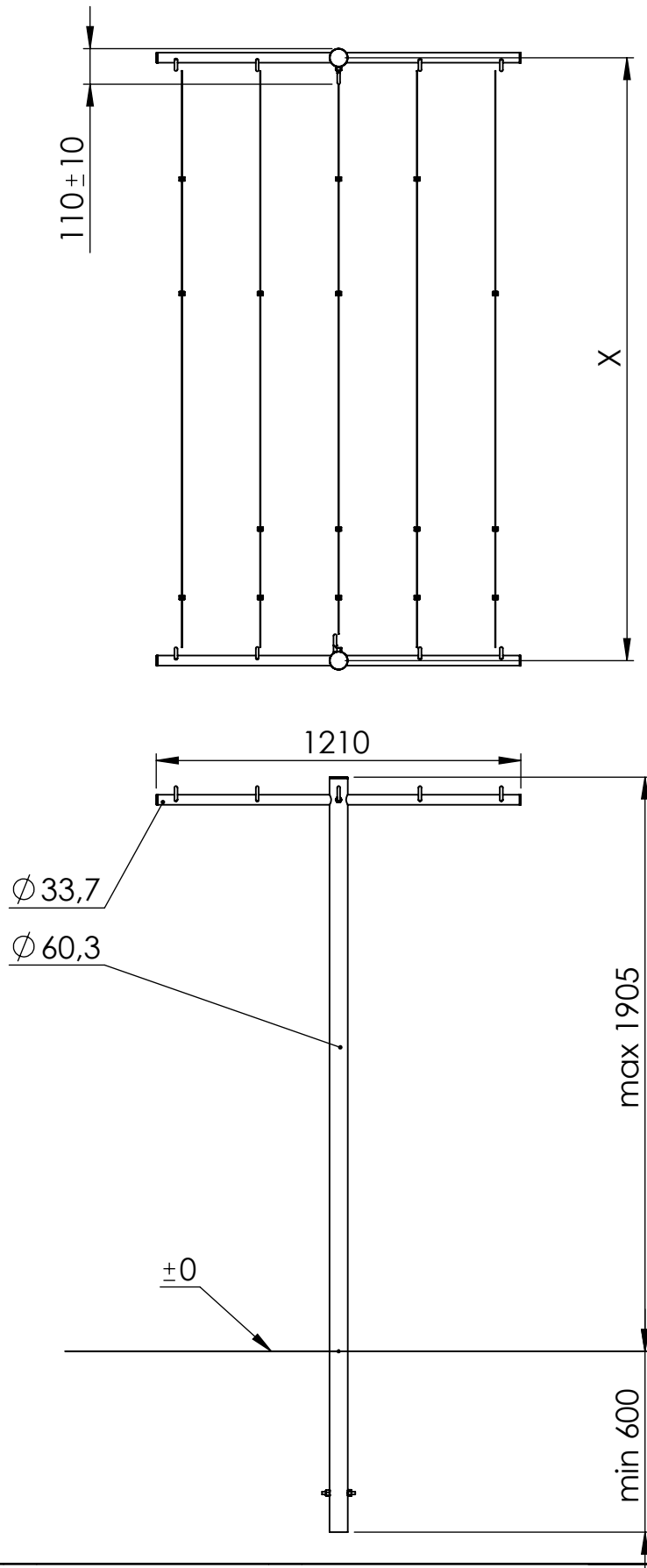
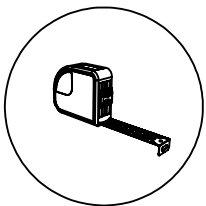
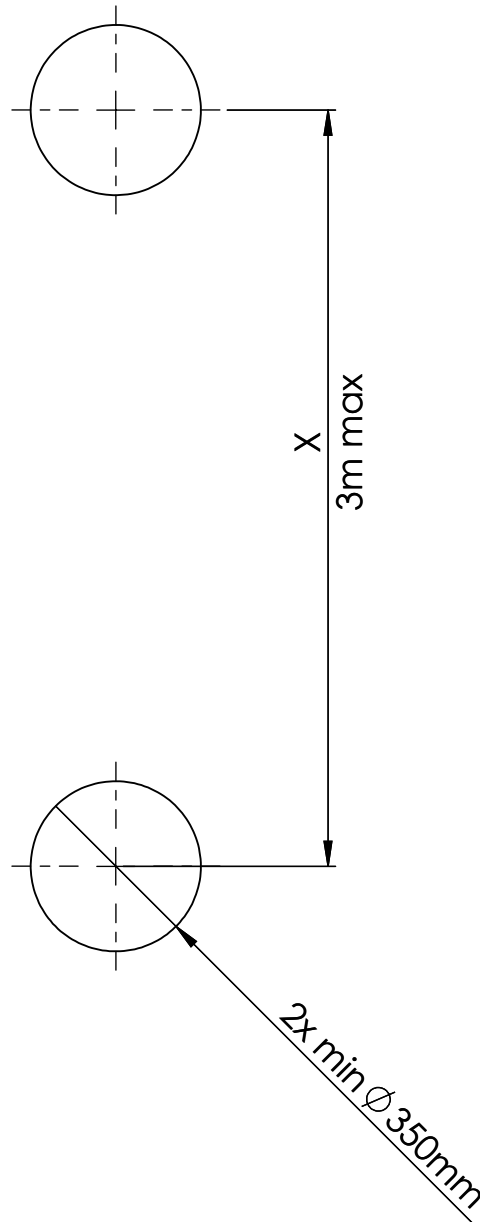
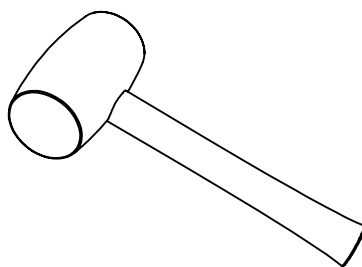
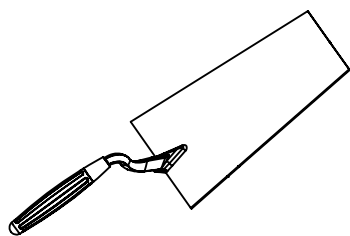
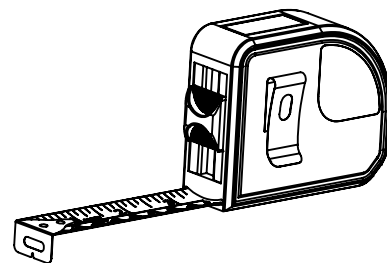
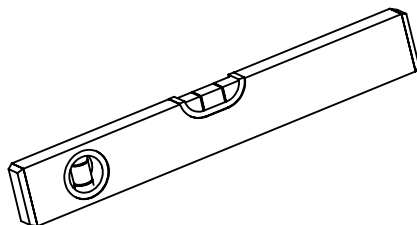
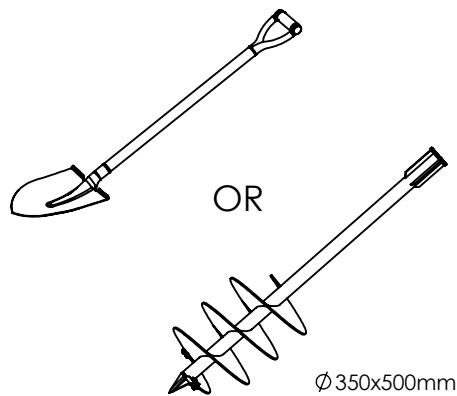


<p>④ SM0046</p>  <p>M8</p>	<p>pcs.</p> <p>2</p>	<p>⑤ P0221</p>  <p>∅ 34</p>	<p>pcs.</p> <p>4</p>	<p>⑥ P0214</p>  <p>∅ 60</p>	<p>pcs.</p> <p>2</p>	<p>⑦ SM0219</p>  <p>M10x110</p>	<p>pcs.</p> <p>2</p>	<p>⑧ SM0006</p>  <p>M10</p>	<p>pcs.</p> <p>4</p>
<p>① 20384-01</p> 	<p>pcs.</p> <p>2</p>	<p>② 20384-02</p> 	<p>pcs.</p> <p>2</p>	<p>③ P0072</p> 	<p>pcs.</p> <p>10</p>				

[mm]

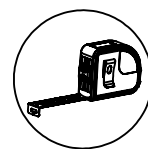
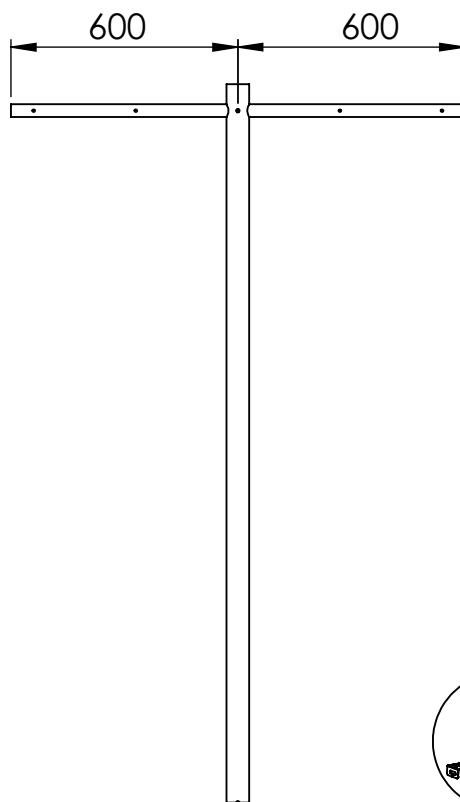
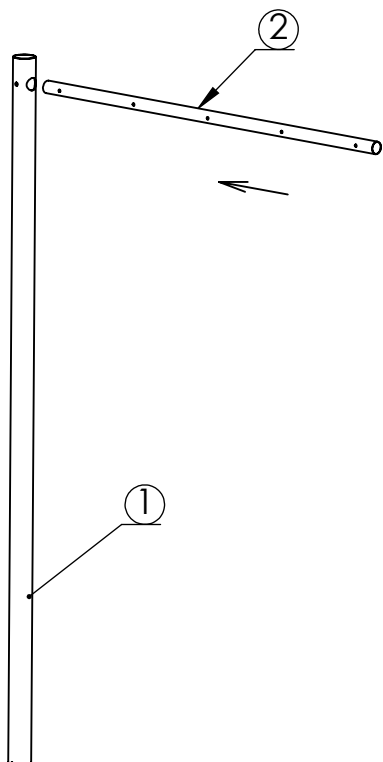




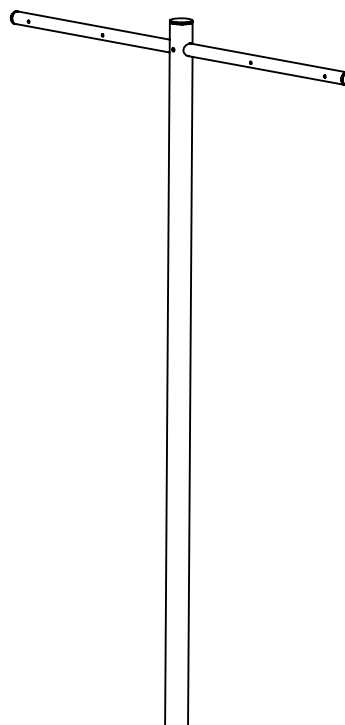
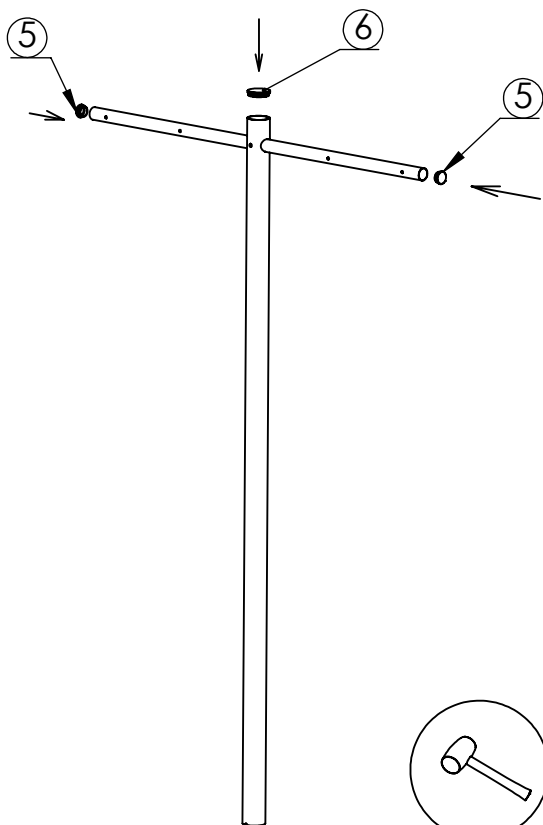


13mm
2x 17mm

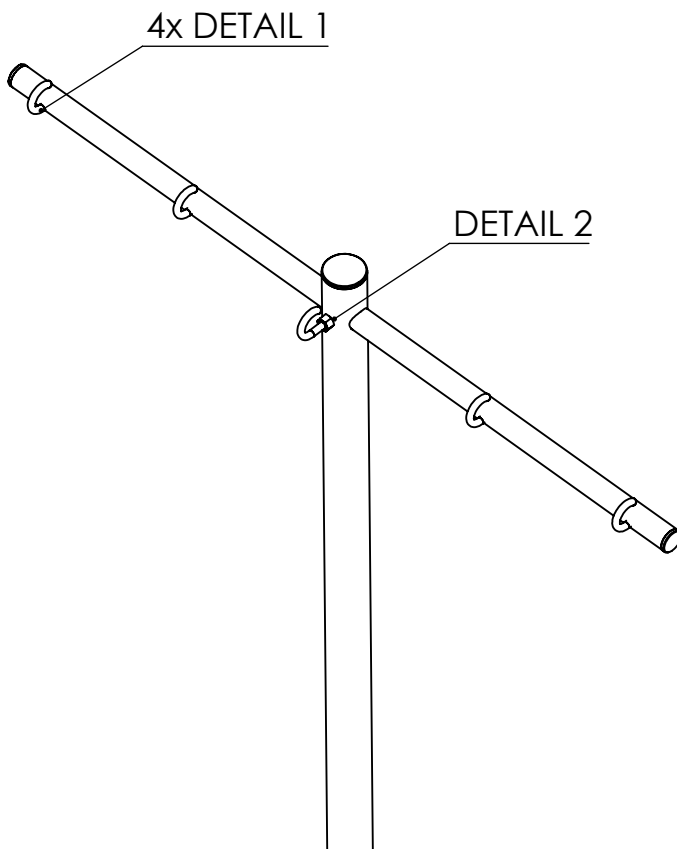
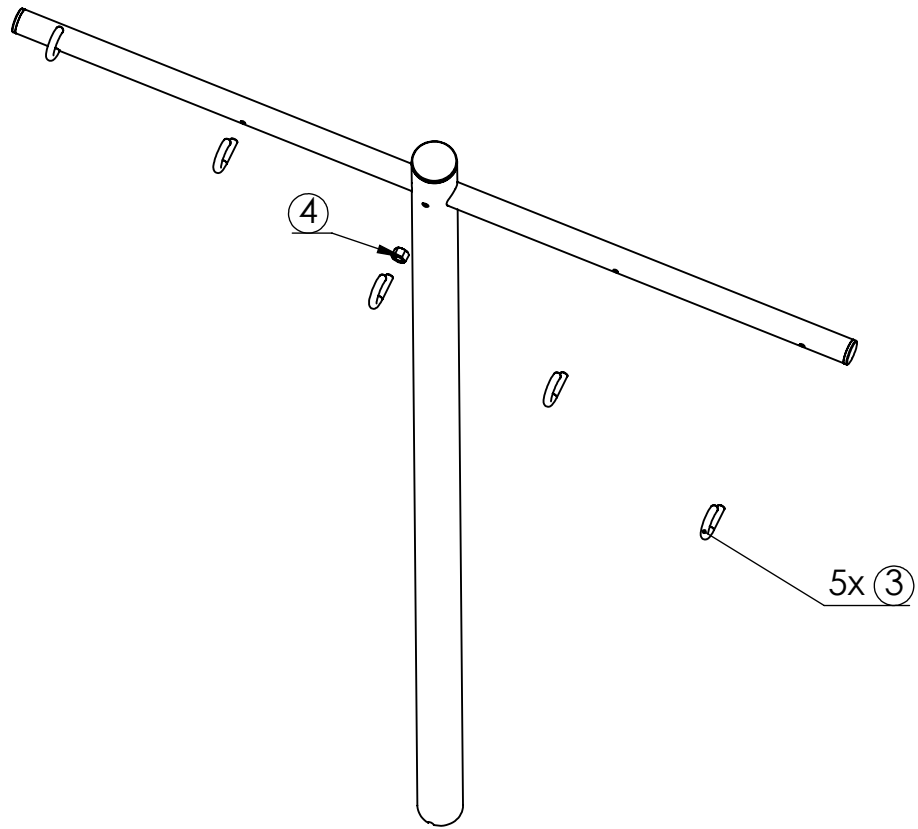
1.



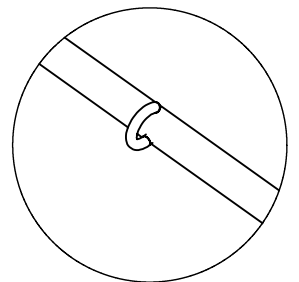
2.



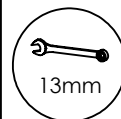
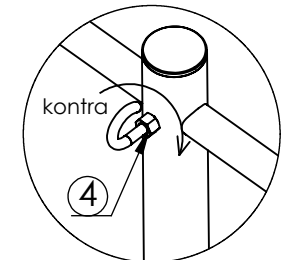
3.



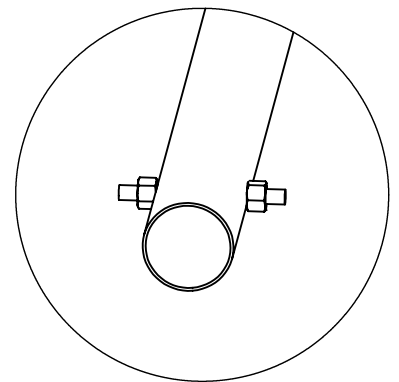
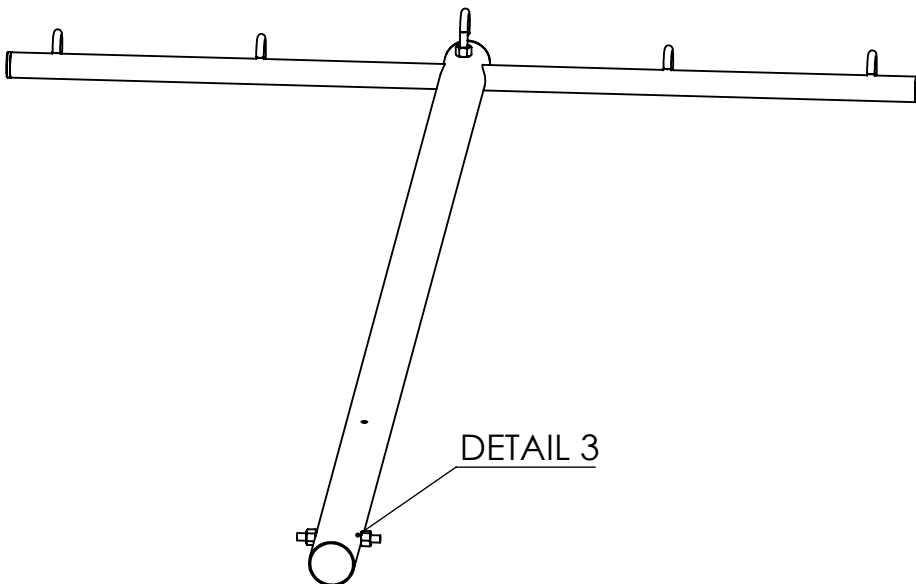
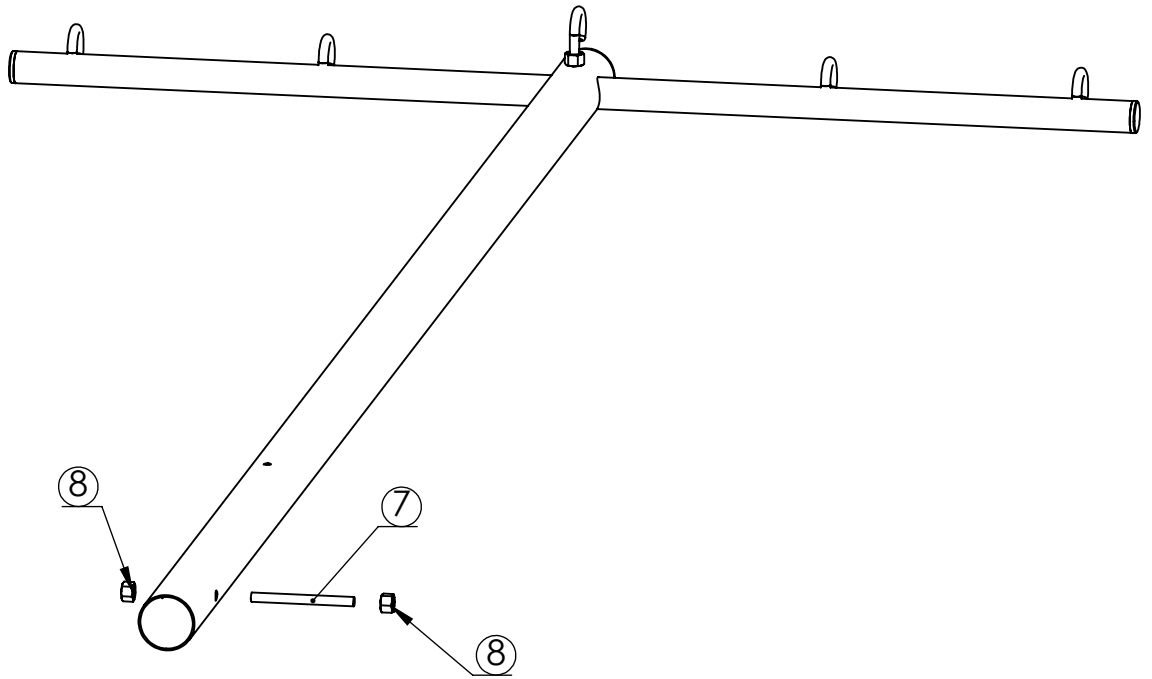
DETAIL 1



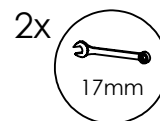
DETAIL 2

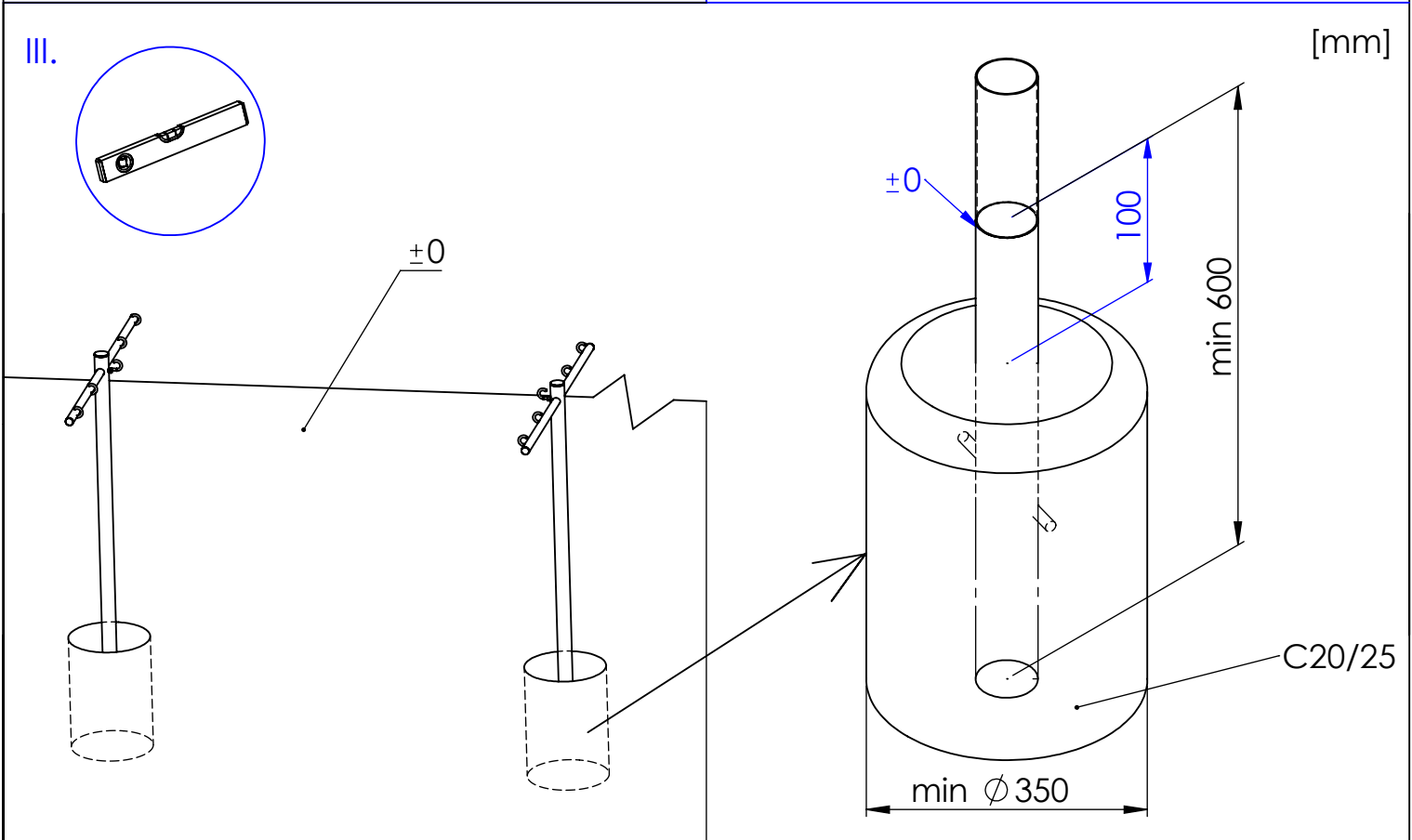
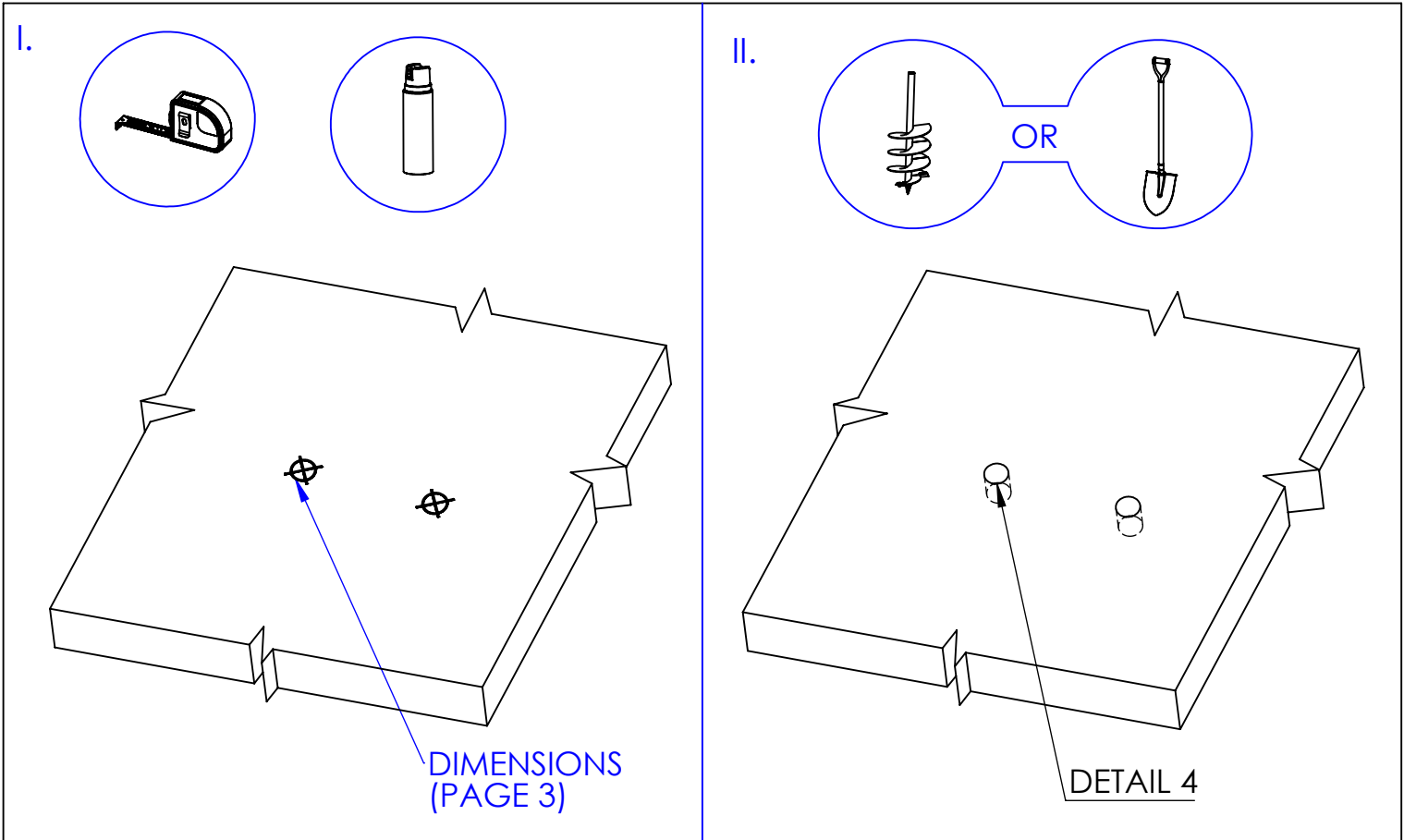


4.

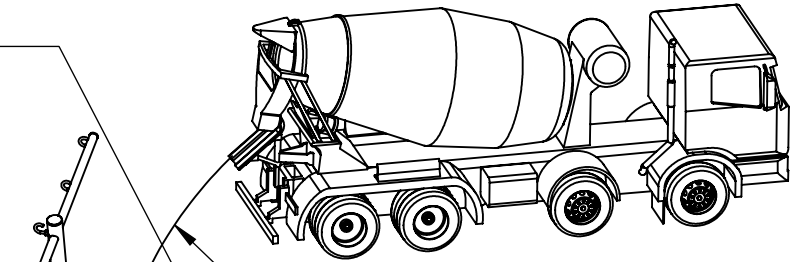
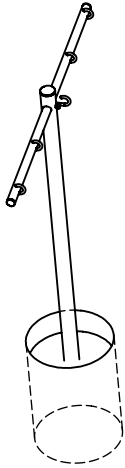


DETAIL 3

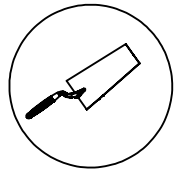




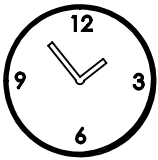
IV.



C20/25



V.

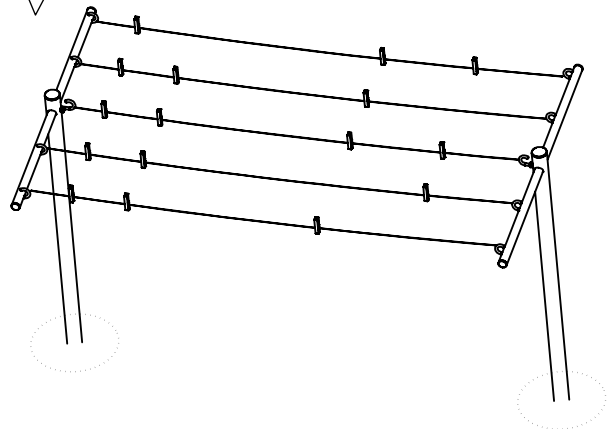
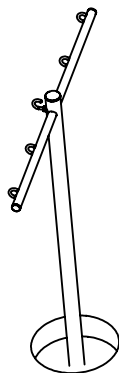
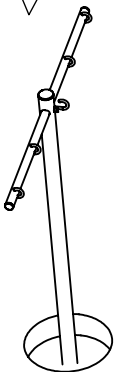
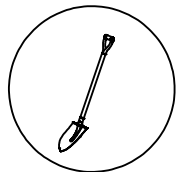


Ripening time according to the regulations of the concrete producer.

Reifezeit nach Hinweisen des Betonherstellers.

Doba tvrdnutí předepsaná výrobcem betonu.

VI.



[mm]

DETAIL 4

